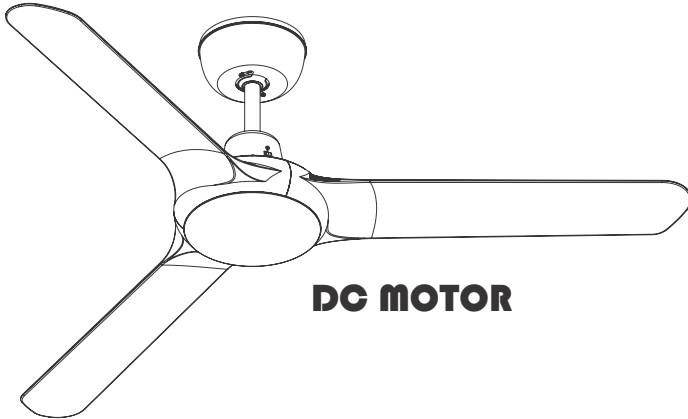


# INSTRUCTION MANUAL



# SPYDA<sup>DC</sup>



The images in this manual are for reference only.  
Specifications subject to change without notice.

Ceiling Fan Installation Manual, Rev 1.02

## MODELS:

WITHOUT LIGHT	WITH LIGHT
SPYDC903WH	SPYDC903WH-L
SPYDC903BL	SPYDC903BL-L
SPYDC1253WH	SPYDC1253WH-L
SPYDC1253BL	SPYDC1253BL-L
SPYDC1423WH	SPYDC1423WH-L
SPYDC1423BL	SPYDC1423BL-L
SPYDC1573WH	
SPYDC1573BL	

- INSTALLATION
- OPERATION
- MAINTENANCE
- TROUBLESHOOTING
- WARRANTY

### CAUTION

Read Instructions Carefully for Safe  
Installation and Fan Operation.

MUST BE INSTALLED BY A  
LICENSED ELECTRICIAN.



**NOT FOR DIY**  
PROFESSIONAL INSTALLATION REQUIRED

## **THANK YOU FOR YOUR PURCHASE...**

Congratulations on selecting a quality Ventair DC ceiling fan! You've invested in superior performance, comfort, and energy efficiency that will benefit you for many years to come.

For the safe, correct, and optimal operation of your new Ventair DC ceiling fan, it's absolutely essential that you take the time to thoroughly read and understand all the instructions provided within this manual before commencing any installation or use.

The detailed information presented in the subsequent pages has been carefully compiled to ensure you experience trouble-free operation of your ceiling fan, allowing you to fully enjoy its benefits.

## **SAFETY PRECAUTIONS**

- 1.** To ensure a successful installation, please read the instructions and study the diagrams thoroughly.
- 2.** For your safety, all electrical work must only commence after the power supply has been isolated. This requires removing fuses or turning off the circuit breaker to ensure an all-pole isolation of the electrical supply.
- 3.** To ensure optimal performance and safety, make sure the rotating fan blades will not come into contact with any objects at your installation site. There should be a minimum clearance of 300mm from the blade tip to any wall or ceiling. Please note that greater clearance around the fan will improve airflow.
- 4.** The fixing point for the fan must be able to support the weight of 4 times that of the net weight of the fan. Net weights can be found on the next page. If you are mounting the fan to a ceiling junction box, the box and fixing must be able to support the moving weight of the fan and must not twist or work loose.
- 5.** The fan must be earthed.
- 6.** Do not connect the fan motor to a dimmer switch. This may give an unsatisfactory performance (motor hum) and cause damage to the motor and void your warranty.
- 7.** It's not recommended to operate ceiling fans and gas appliances in the same room simultaneously.
- 8.** Do not insert anything into the fan blades while the fan is operating. This will damage the blades and upset the balance of the unit causing the unit to wobble.
- 9.** After completing the fan's installation, check that all connections are secure and tight to avoid any problems.
- 10.** Due to the fan's natural movement, some connections may loosen over time. To ensure continued safety and performance, check the support connections, brackets, and blade attachments twice a year to confirm they are secure. If any are loose, simply tighten them with a screwdriver.
- 11.** Always have your fan installed by a licensed electrician.
- 12.** This appliance is not intended for use by persons (including children) with reduced physical, sensory or mental capabilities, or lack of experience and knowledge, unless they have been given supervision or instruction concerning use of the appliance by a person responsible for their safety.
- 13.** Children should be supervised to ensure that they do not play with the appliance.
- 14.** For safe and effective operation, Ventair recommends the fan blades be installed at least 2.1m above the floor.

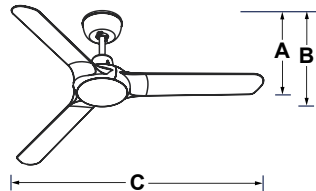
# SPECIFICATIONS

## IMPORTANT:

This fan is suitable for indoor / fully covered outdoor use only.  
An all-pole disconnection switch must be incorporated into the fixed wiring, in accordance with local wiring rules.

MODEL	LIGHT SPECS	MOTOR WATTAGE	INPUT VOLTAGE	FREQUENCY	NETT WEIGHT
SPYDC903WH SPYDC903BL	No Light	17	220-240V~	50Hz	3.54Kg
SPYDC903WH-L SPYDC903BL-L	20 watts <b>WW:</b> 3000K <b>NW:</b> 4000K <b>CW:</b> 6000K 1990 lumens (avg.)	17	220-240V~	50Hz	3.74Kg
SPYDC1253WH SPYDC1253BL	No Light	25	220-240V~	50Hz	3.90Kg
SPYDC1253WH-L SPYDC1253BL-L	20 watts <b>WW:</b> 3000K <b>NW:</b> 4000K <b>CW:</b> 6000K 1990 lumens (avg.)	25	220-240V~	50Hz	4.10Kg
SPYDC1423WH SPYDC1423BL	No Light	35	220-240V~	50Hz	4.31Kg
SPYDC1423WH-L SPYDC1423BL-L	20 watts <b>WW:</b> 3000K <b>NW:</b> 4000K <b>CW:</b> 6000K 1990 lumens (avg.)	35	220-240V~	50Hz	4.51Kg
SPYDC1573WH SPYDC1573BL	No Light	45	220-240V~	50Hz	4.57Kg

FAN SIZE	FAN TYPE	A (Blade Drop)	B (Total Drop)	C (Total Sweep)
900MM	NO LIGHT	322	349	900
	WITH LIGHT	322	365	900
1250MM	NO LIGHT	322	349	1250
	WITH LIGHT	322	365	1250
1400MM	NO LIGHT	322	349	1400
	WITH LIGHT	322	365	1400
1570MM	NO LIGHT	345	375	1570



## PARTS LIST

Carefully unpack the fan and check all parts are present and free from any damage.

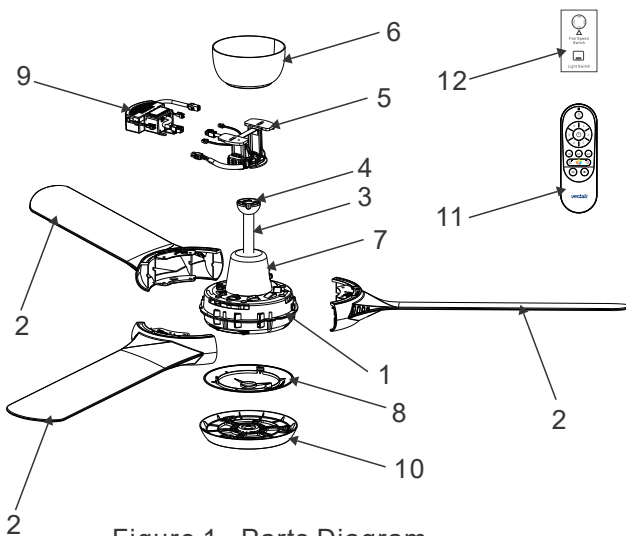


Figure 1 - Parts Diagram

Part	Quantity
01. Motor Assembly	1
02. Blade set	1 (set of 3)
03. Downrod	1
04. Hanging Ball	1
05. Hangsure Bracket	1
06. Upper Canopy	1
07. Lower Canopy	1
08. Motor Cover Disc*	1
09. Motor Driver	1
10. LED Assembly*	1
11. Optional Remote	*
12. Wall Control	1
13. Screw Pack	1

\*No Light Models Only

\*LED Models Only

## OPTIONAL ACCESSORIES

### EXTENSION RODS

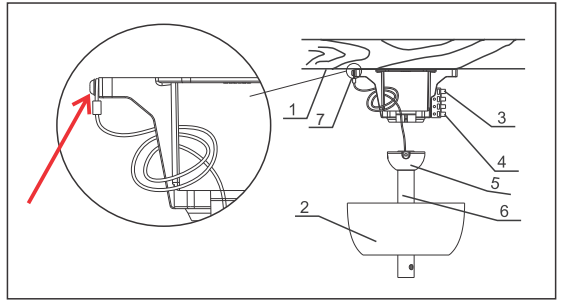
SDCEXTR60BL - 600mm Extension Rod to suit SPYDA DC - Black  
 SDCEXTR60WH - 600mm Extension Rod to suit SPYDA DC - White  
 SDCEXTR90BL - 900mm Extension Rod to suit SPYDA DC - Black  
 SDCEXTR90WH - 900mm Extension Rod to suit SPYDA DC - White

### REMOTE CONTROL

SDCRC - 6 Speed remote to suit SPYDA DC

## INSTALLATION

1. Ceiling Joist
2. Canopy
3. Terminal Block and Mounting Plate
4. Earth Wire
5. Hanging Ball
6. Downrod
7. Safety tether



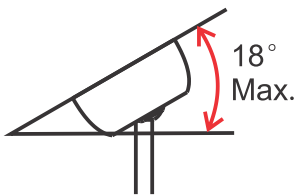
Ensure the fixing tab is securely seated in the groove of the hanging ball.

Minor design changes may result in slight variations between the product illustrated and that which is contained in this package.



## INSTALLATION ON A RAKED CEILING

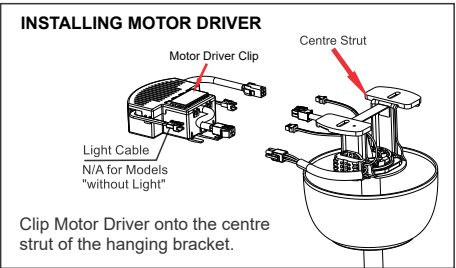
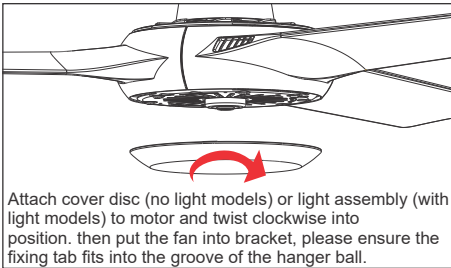
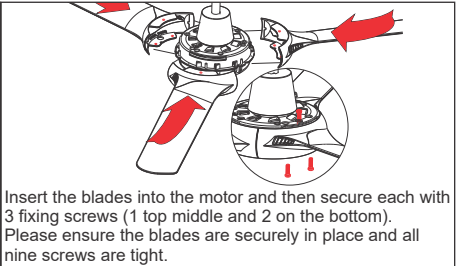
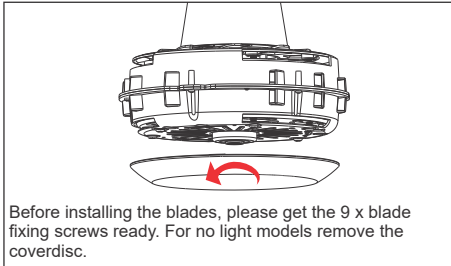
1. Please ensure the groove on the fan hanging ball is securely locked into the fixing tab on the hanging bracket.
2. Ensure the fixing tab is set at the highest point.



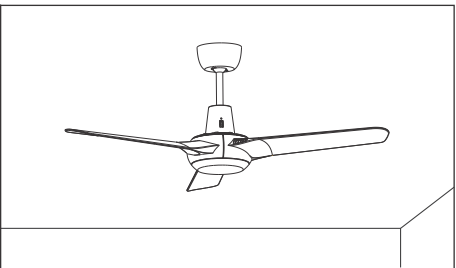
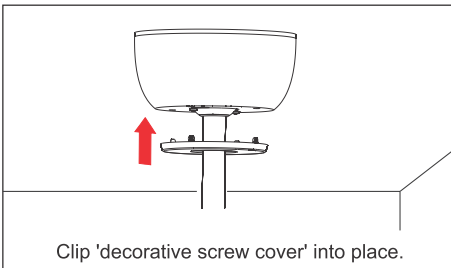
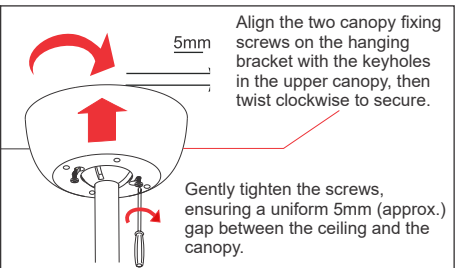
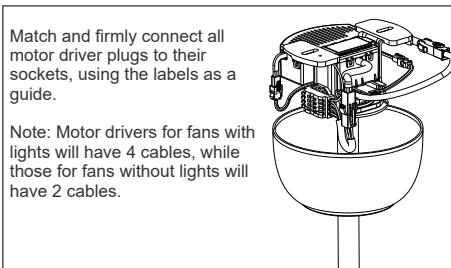
# HOW TO INSTALL THE FAN

With the upper canopy about 5mm off the ceiling, secure it into position with canopy screws.

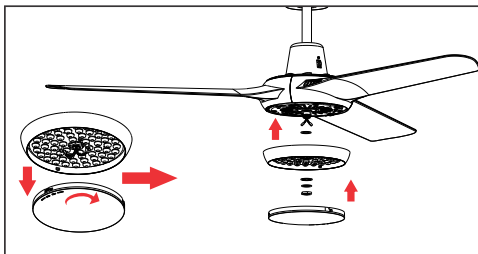
**NOTE: 3 Screws per blade (top & bottom).**



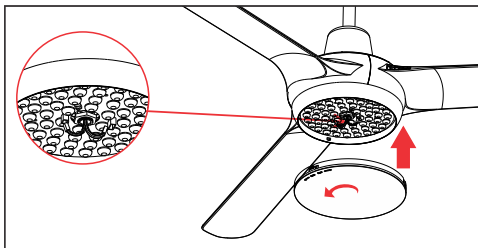
**Follow the electrical diagram on page 8 for all connections.**



## LIGHT ASSEMBLY

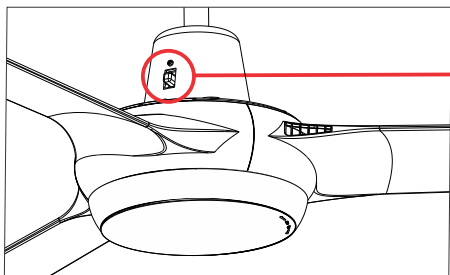


1. After installing the fan blades, take off the light diffuser. Thread the light wire through the centre hole of the light frame then screw light frame into bottom of the fan until firm.



2. Connect the two light wires to the LED panel. Position the light diffuser onto the light frame and turn it clockwise to secure.

## SUMMER / WINTER

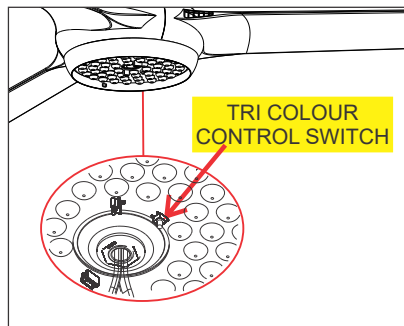
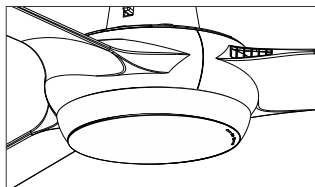


Forward / Reverse alters the direction of blade rotation (Summer / Winter).

Alternatively this function is also available on the optional SDCRC remote.

## CHANGING THE LED COLOUR (DEFAULT NATURAL)

LED light models feature a CCT switch to change between three colour temperatures: Warm, Natural, and Cool.



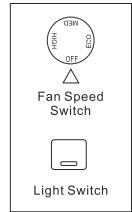
To access the tri-colour switch, twist the diffuser anti-clockwise to remove it. Ensure only the diffuser turns to avoid damaging internal wires. Press the button on the LED panel to cycle through the light colours: Cool White, Natural, and Warm.

## STEP DIMMING INSTRUCTIONS








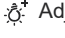




### Using the Provided Wall Control

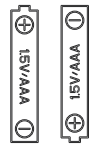
1. Flick light switch to 'ON' - Light will be at 100% brightness.
2. With the light on, flick the switch 'OFF' then 'ON' again within 2 seconds, Light will be at 75%.
3. Repeat the same process and the light will continue to dim to 50% then 25% and finally back to 100%.

**NOTE:** If the light switch remains 'OFF' for more than 2 seconds, the light will operate at its previous setting when next operated.



### Using the optional SDCRC Remote Control (not included).


1.  Turn only the fan 'OFF'.
2.  Adjust the fan speed from 1 (lowest) to 6 (highest).
3.  Breeze Mode: Varies the fan speed to create a natural breeze effect.
4.  Light ON/OFF.
5.  Forward / Reverse alters the direction of blade rotation (Summer / Winter).
6.  Adjust light colour (Cool, Natural and Warm).
7.   Adjust the light intensity up to Maximum brightness.  
 Adjust the light intensity down to Minimum brightness.
8.    One, four, and eight-hour off timer.



Two AAA batteries supplied.  
**NOTE:** Using high-quality Lithium batteries will extend the time between replacements.

### How to pair the remote control:

**Step 1:** Turn the isolation switch 'OFF'.

**Step 2:** Turn the isolation switch on and within 2 seconds, press and hold the fan off () button for 3-4 seconds until the fan emits a 'beep, beep' sound to indicate the pairing process succeeded.

### Quick Wiring Selection Guide

Installation Type	With Light	Parts Required	Refer to Diagram
Wall Control (or Wall + Remote)	No	SDC3SPWC / SDCRC	Diagram #1
Remote Control Only	No	SDCRC	Diagram #2
Wall Control (or Wall + Remote)	Yes	SDC3SPWC / SDCRC	Diagram #3
Remote Control Only	Yes	SDCRC	Diagram #4

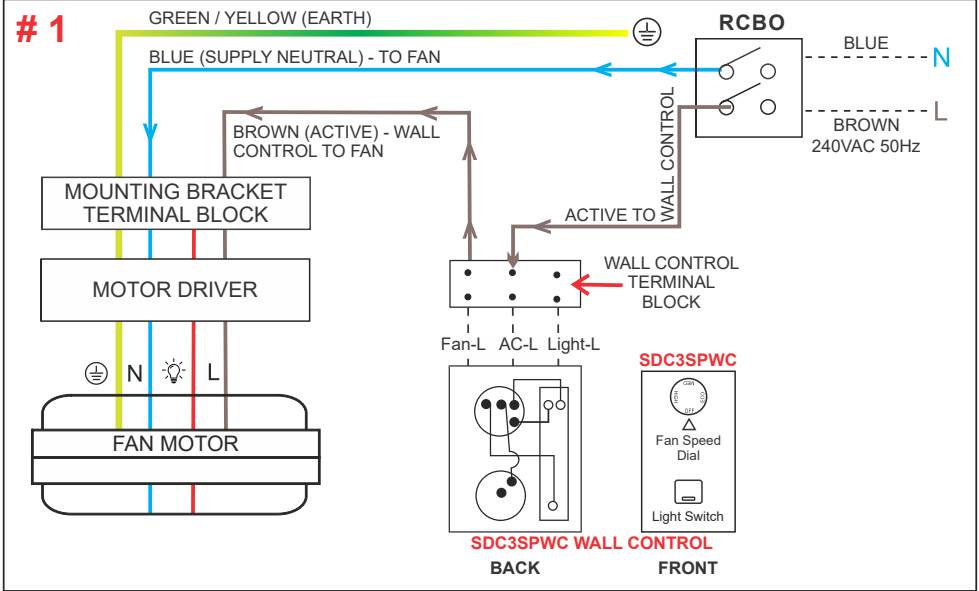
# WIRING DIAGRAMS

**IMPORTANT: Please select the appropriate wiring diagram based on your specific configuration of integrated light kit, DC wall controller, and/or remote-control handset.**

## NO LIGHT

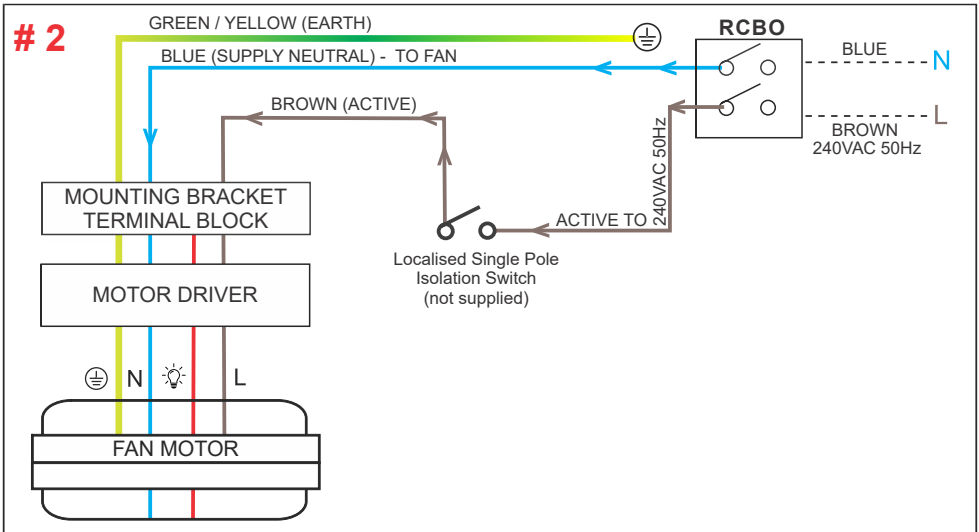
**Recommended wiring for fans without a light.**

Fan control is managed using only the included **SDC3SPWC** wall control or a combination of the optional **SDCRC** remote control and **SDC3SPWC** wall control.



**Recommended wiring for fans without a light.**

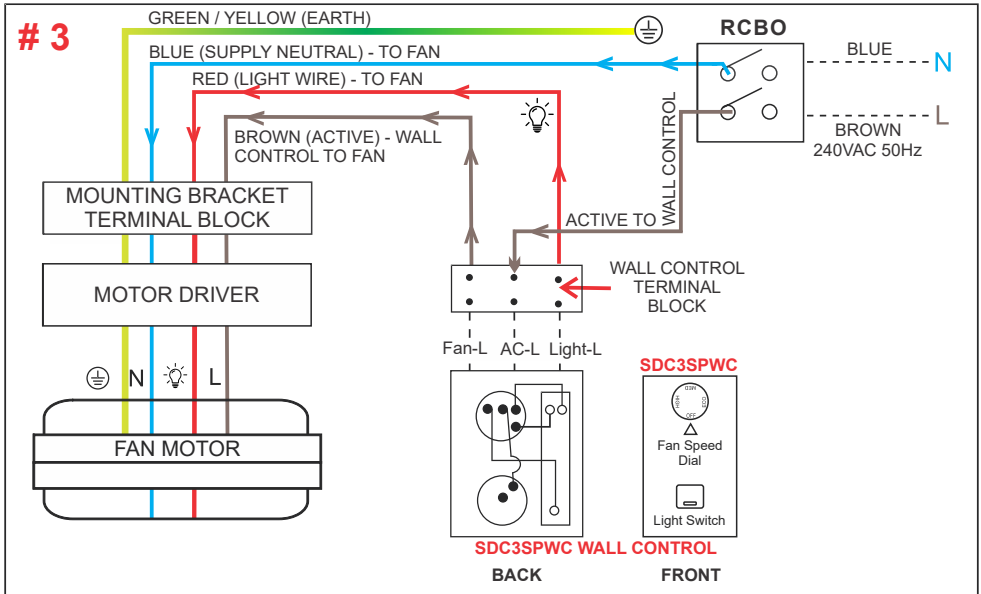
Fan control is managed solely by the optional **SDCRC** remote control.



# WIRING DIAGRAMS

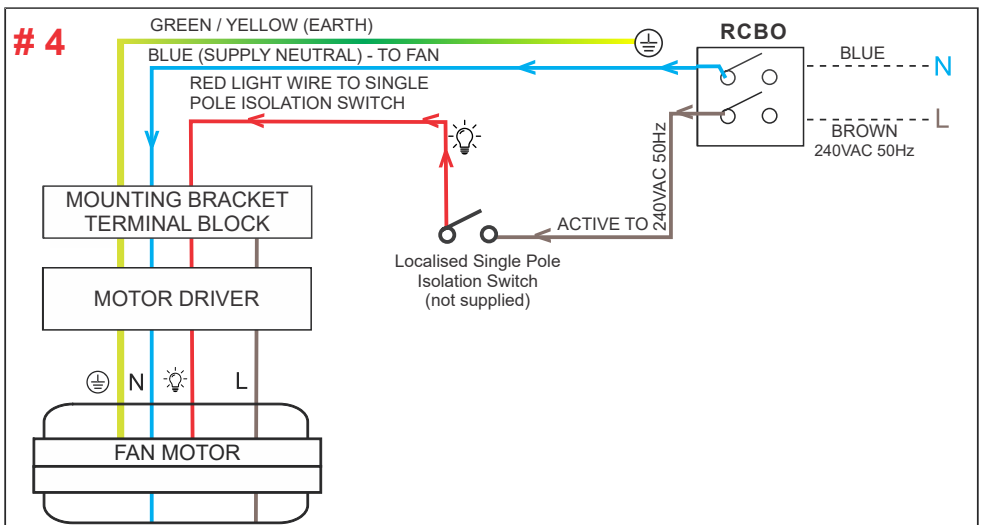
## WITH LIGHT

**Recommended wiring** for fans with a light and control is managed using the supplied **SDC3SPWC** wall control or a combination of the optional **SDCRC** remote control and **SDC3SPWC** wall control.



**Recommended wiring** for fans with a light. Control is managed **solely** by the optional **SDCRC** remote control.

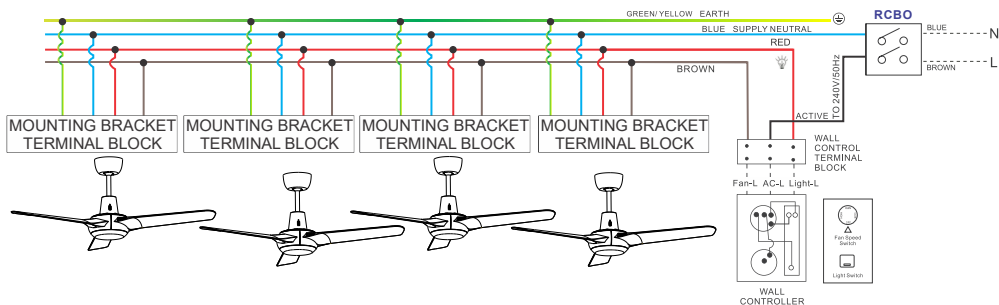
**NOTE:** With this wiring method, the wall switch cuts power to the fan and light. When the switch is reactivated, the light will turn on, retaining its CCT setting. The fan will be in standby mode and requires the remote control for activation.



## MULTIPLE FANS ON ONE WALL CONTROL

A single wall control or PCB module is capable of operating as many as 10 fans. The diagram below details the wiring for models with lights; however, you have the flexibility to mix fans with lights and those without.

10 Fans(MAX) connected to a wall single control



### INSTALLATION TIPS:

The fixing point for the fan must be able to support the weight of 4 times that of the net weight of the fan. If you are mounting the fan to a ceiling junction box, the box and fixing must be able to support the moving weight of the fan and must not twist or work loose.

Do not use a solid-state dimmer control.

Do not use the light switch to control the fan motor.

The wall control should fit into existing gang block or wall plate. If you do not flush mount the control, use a standard single gang mounting block.

Be careful not to mix up the supply active and the fan active connections. Reversing the speed control connections will prevent the fan from operating correctly.

With the wiring connections finished, please ensure that all wires are organised neatly and the ball is firmly in place within the bracket. This step is vital for minimising fan wobbling.

Once all the above steps have been followed, you are now ready to restore the mains power supply. Make sure there is nobody near or under the fan, then turn ON the fan (and light switch if included in your model) to test.

## HOW TO OPERATE

To turn the fan on, simply turn the speed dial to the desired speed. To turn off, rotate the knob to the OFF position.

## MAINTENANCE

**Safety First:** Always isolate the power supply to the fan before performing any cleaning or maintenance.

**Guards:** Always isolate the power supply to the fan before removing any guards or covers.

**Cleaning:** To clean your fan, don't use harsh solvents like mineral turpentine, white spirit, or petrol. These can damage the fan and are a fire hazard. Instead, simply use a clean, soft cloth dampened with ordinary soap and water, then wipe it dry straight away.

## TROUBLESHOOTING

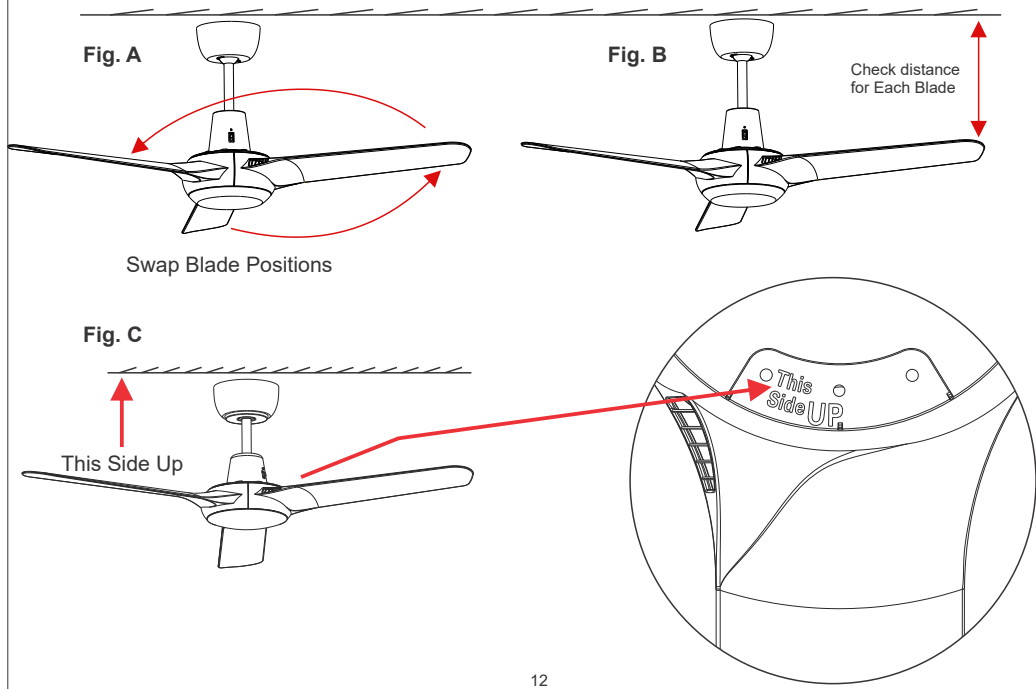
### Troubleshooting: Shaking, Vibration, or Noise

Except for an actual manufacturing fault, which is extremely rare, noises and vibrations can often be rectified by checking and adjusting various components. If your fan is experiencing excessive movement, wobbling, or unusual noise, please follow these steps:

- 1. Check all fasteners:** Securely tighten all screws, bolts, and nuts. Make sure you tighten the three screws on each blade and any fasteners on suspended parts.
- 2. For models with a light:** Ensure the light kit and diffuser are securely tightened; for non-light models, ensure the cover disc is securely attached. See page 4 for parts identification.
- 3. Inspect blades for damage:** Check all blades carefully for any signs of damage. If a blade is deformed, it needs to be replaced. For best balance, replace all 3 blades as a complete set.
- 4. Ensure canopy clearance:** Confirm that the fan's canopy isn't touching the ceiling surface.
- 5. Swap blade positions:** To balance the fan, you may need to swap the blade positions. Move blade 1 to position 2, blade 2 to position 3, and blade 3 to position 1.
- 6. Check blade height:** Rotate the fan slowly and measure the distance from the ceiling to each blade tip to check for consistent height. If a blade is too high or low, loosen its screws, adjust the position, and then re-tighten them (**Fig. B**).
- 7. Check orientation:** Ensure "This way up" on each blade faces the ceiling (**Fig. C**).

**Night Noise:** While all motors make some noise, Spyda DC fans are much quieter than typical AC models, perfect for noise-sensitive areas like bedrooms.

**WARNING:** If the fan wobbles excessively or shows any unusual side-to-side movement, immediately stop using it. Contact the manufacturer, their service agent, or a suitably qualified professional straight away.

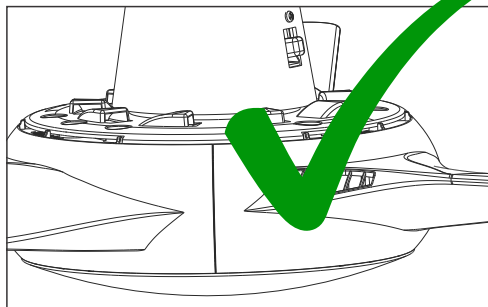


## TROUBLESHOOTING

### CORRECT BLADE INSTALLATION:

Blades achieve an almost invisible join.

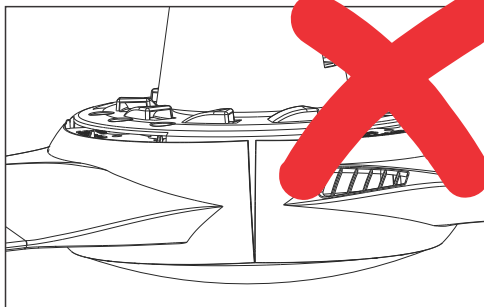
No action required.



### INCORRECT BLADE INSTALLATION:

Distinct V-shaped gap between the blades.

One or more blades installed upside down, See **Fig. B** on page 11 and rectify.



## PRODUCT SUPPORT & WARRANTY

For technical assistance please contact Ventair support via email [support@ventair.com.au](mailto:support@ventair.com.au) or call 1300 665 926.

- This fan is suitable for indoor and covered outdoor areas. Please ensure the fan is adequately protected from the elements all at times. Exposure to excessive winds, dust, water or salt air may damage the fan and will not be covered under warranty.
- The light assembly in your fan (where fitted) is intended for many years of reliable operation. Should the diffuser require removal, extreme care must be exercised, as rotating the entire light assembly will result in damage to the fan, which is not covered by the warranty. Please contact the Ventair support team for any required assistance.
- If you suspect faults relating to installation, contact your installer to rectify.
- If you suspect a manufacturing defect, submit a warranty by visiting [www.ventair.com.au/warranty](http://www.ventair.com.au/warranty)

You will need to provide the following information:

- Proof of purchase.
- The nature of the fault and supporting evidence.
- The brand, model number and colour of the unit.
- The owner's name, address and contact number.
- Certificate of electrical safety (if requested).

The customer will not gain the benefit of this warranty without making a claim with Ventair.

All Ventair in-home warranty repairs or replacements require prior written approval from Ventair.

Terms and conditions on the included warranty card and at [www.ventair.com.au/warranty](http://www.ventair.com.au/warranty).

### VENTAIR

4 CAPITAL PLACE,  
CARRUM DOWNS, VIC, 3201  
PHONE: (03) 9775 0556  
[support@ventair.com.au](mailto:support@ventair.com.au)  
<https://ventair.com.au>

Please do not dispose of this product in your household rubbish. Recycle it responsibly at a designated e-waste collection point to protect the environment. Contact your local council for details.

